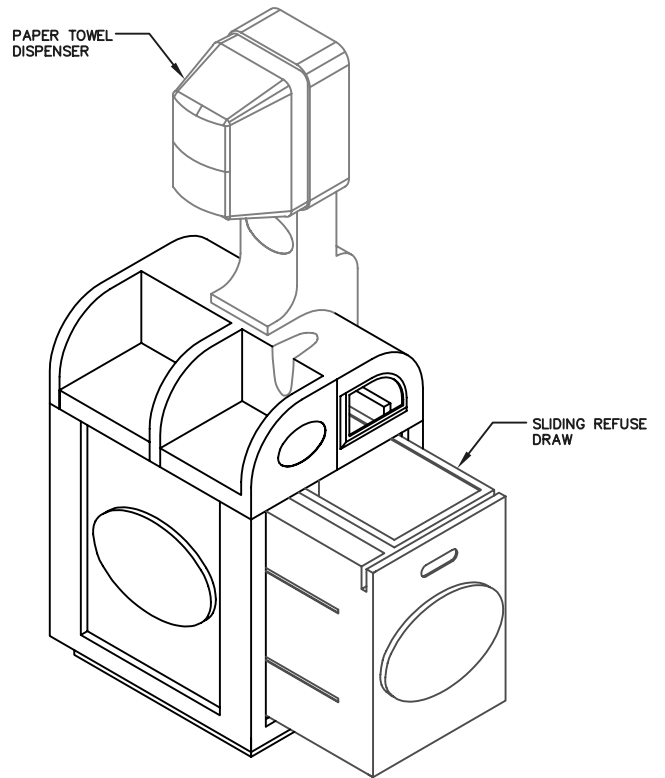
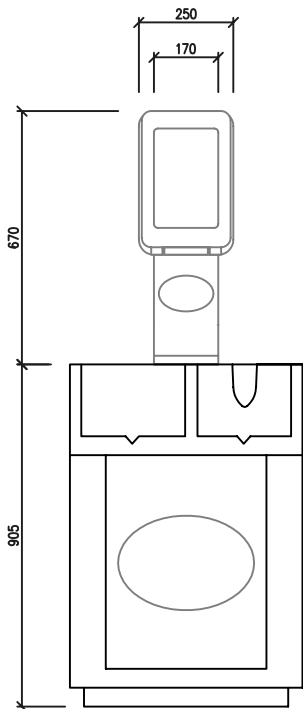


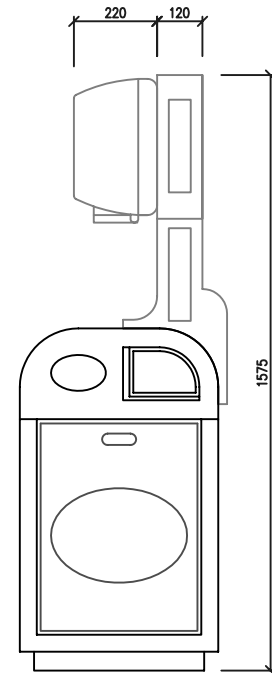
PLAN VIEW



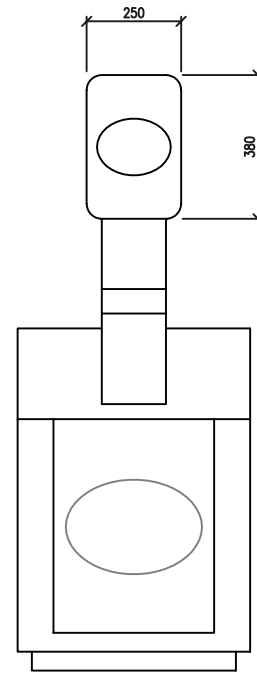
ISOMETRIC VIEW OF FORECOURT FURNITURE



FRONT ELEVATION



SIDE ELEVATION



REAR ELEVATION



PETROLEUM EQUIPEMENT SERVICES LTD

7 Ride Way, Albany, North Shore City 0632
 PO Box 303 462 North Harbour, Auckland
 0751, New Zealand
 Ph: 64 (09) 414 1119
 Fax: 64 (09) 414 1120
 Mob: 025 726 117

Chris Davis
 Managing Director

TITLE:

FORECOURT SERVICES BIN

DRAWING STATUS:

INFORMATION

PROJECT No:	SCALES:	DRAWN NB	CAD
DRAWING No: FF01			REV



PETROLEUM EQUIPEMENT SERVICES LTD

7 Ride Way, Albany, North Shore City 0632
 PO Box 303 462 North Harbour, Auckland
 0751, New Zealand
 Ph: 64 (09) 414 1119
 Fax: 64 (09) 414 1120
 Mob: 025 726 117

Chris Davis
 Managing Director

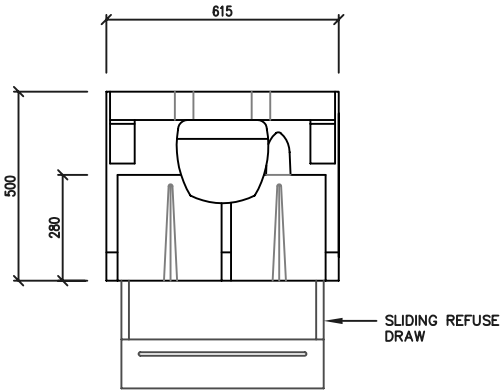
TITLE:

**FORECOURT
 SERVICES BIN**

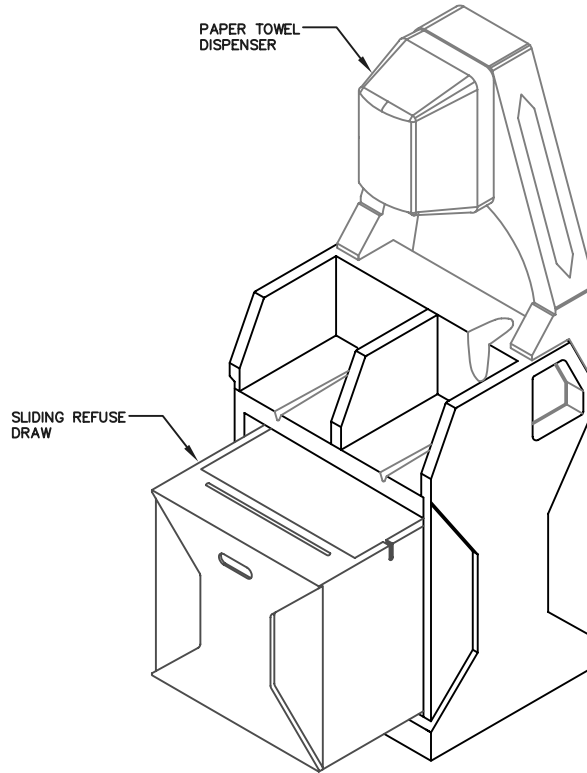
DRAWING STATUS:

INFORMATION

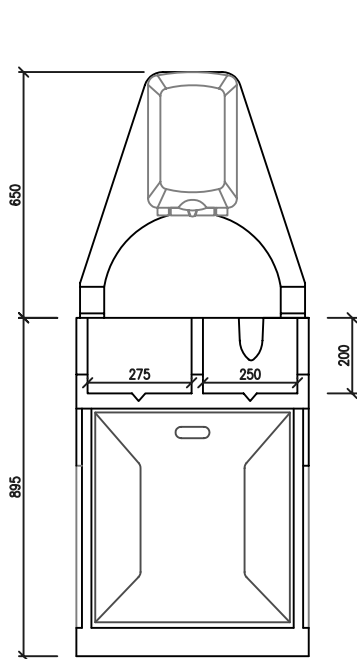
PROJECT No:	SCALES:	DRAWN NB	CAD
DRAWING No: FF01a			REV



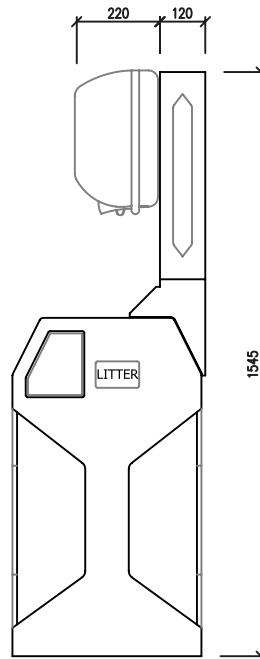
PLAN VIEW



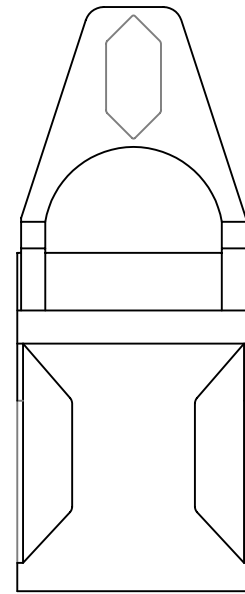
ISOMETRIC VIEW OF FORECOURT FURNITURE



FRONT ELEVATION



SIDE ELEVATION



REAR ELEVATION



PETROLEUM EQUIPEMENT SERVICES LTD

7 Ride Way, Albany, North Shore City 0632
 PO Box 303 462 North Harbour, Auckland
 0751, New Zealand
 Ph: 64 (09) 414 1119
 Fax: 64 (09) 414 1120
 Mob: 025 726 117

Chris Davis
 Managing Director

TITLE:

FORECOURT SERVICES BIN

DRAWING STATUS:

INFORMATION

PROJECT No:	SCALES:	DRAWN NB	CAD
DRAWING No: FF02			REV



PETROLEUM EQUIPEMENT SERVICES LTD

7 Ride Way, Albany, North Shore City 0632
 PO Box 303 462 North Harbour, Auckland
 0751, New Zealand
 Ph: 64 (09) 414 1119
 Fax: 64 (09) 414 1120
 Mob: 025 726 117



Chris Davis
 Managing Director

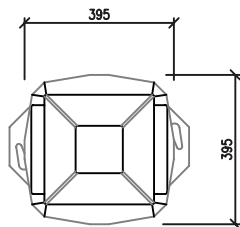
TITLE:

**FORECOURT
 SERVICES BIN**

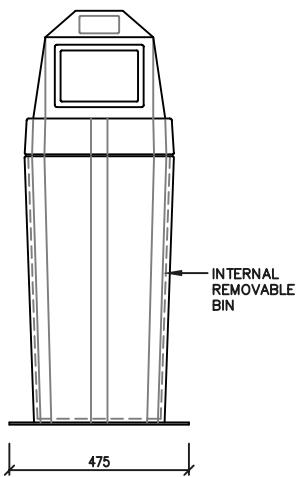
DRAWING STATUS:

INFORMATION

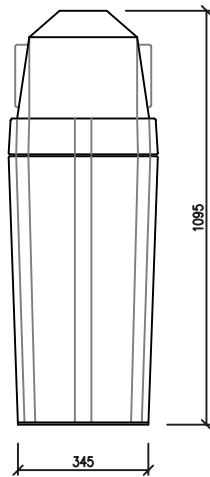
PROJECT No:	SCALES:	DRAWN NB	CAD
DRAWING No: FF02a			REV



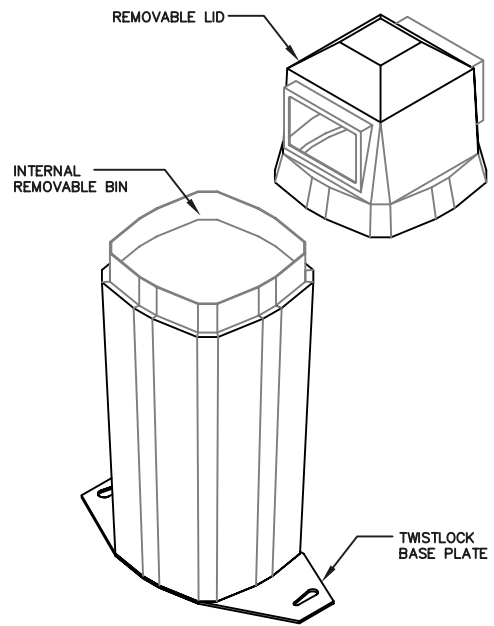
PLAN VIEW



FRONT ELEVATION



SIDE ELEVATION



ISOMETRIC VIEW OF REFUSE BIN



PETROLEUM EQUIPEMENT SERVICES LTD

7 Ride Way, Albany, North Shore City 0632
 PO Box 303 462 North Harbour, Auckland
 0751, New Zealand
 Ph: 64 (09) 414 1119
 Fax: 64 (09) 414 1120
 Mob: 025 726 117

Chris Davis
 Managing Director

TITLE:

**100 LTR TWISTLOCK
 REFUSE BIN**

DRAWING STATUS:

INFORMATION

PROJECT No:	SCALES:	DRAWN	CAD
		NB	

DRAWING No:	REV
FF03	



PETROLEUM EQUIPEMENT SERVICES LTD

7 Ride Way, Albany, North Shore City 0632
 PO Box 303 462 North Harbour, Auckland
 0751, New Zealand
 Ph: 64 (09) 414 1119
 Fax: 64 (09) 414 1120
 Mob: 025 726 117

Chris Davis
 Managing Director

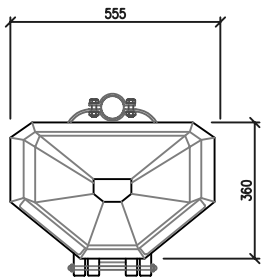
TITLE:

**100 LTR TWISTLOCK
 REFUSE BIN**

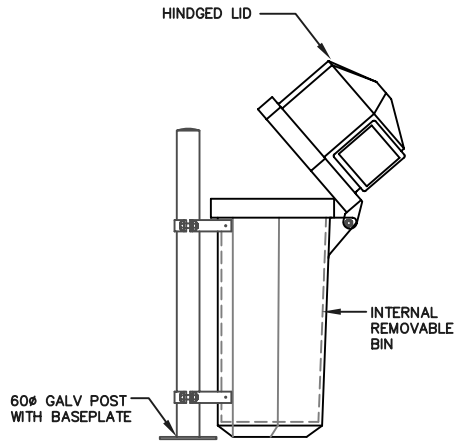
DRAWING STATUS:

INFORMATION

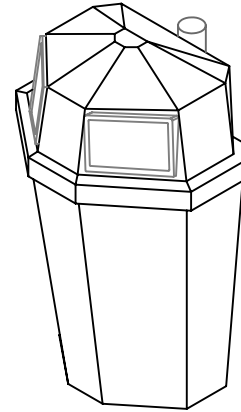
PROJECT No:	SCALES:	DRAWN	CAD
		NB	
DRAWING No:			REV
FF03a			



PLAN VIEW

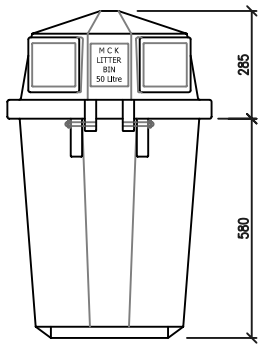


SIDE ELEVATION

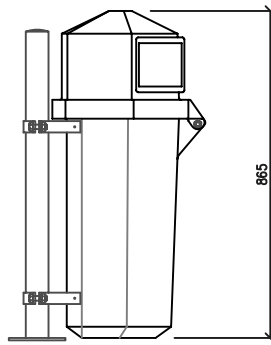


ISOMETRIC VIEW OF REFUSE BIN

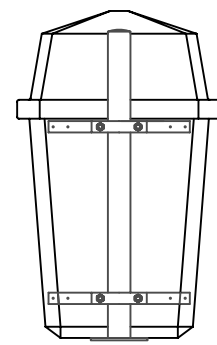
NOTE:
GALV POST CAN BE
SUPPLIED LONGER TO
CONCRETE INGROUND.



FRONT ELEVATION



SIDE ELEVATION



REAR ELEVATION



PETROLEUM EQUIPEMENT SERVICES LTD

7 Ride Way, Albany, North Shore City 0632
PO Box 303 462 North Harbour, Auckland
0751, New Zealand
Ph: 64 (09) 414 1119
Fax: 64 (09) 414 1120
Mob: 025 726 117

Chris Davis
Managing Director

TITLE:

**50 LITRE
REFUSE BIN**

DRAWING STATUS:

INFORMATION

PROJECT No:	SCALES:	DRAWN NB	CAD
-------------	---------	-------------	-----

DRAWING No: FF04	REV
----------------------------	-----



PETROLEUM EQUIPEMENT SERVICES LTD

7 Ride Way, Albany, North Shore City 0632
 PO Box 303 462 North Harbour, Auckland
 0751, New Zealand
 Ph: 64 (09) 414 1119
 Fax: 64 (09) 414 1120
 Mob: 025 726 117



Chris Davis
 Managing Director



TITLE:

**50 LITRE
 REFUSE BIN**

DRAWING STATUS:

INFORMATION

PROJECT No:	SCALES:	DRAWN NB	CAD
DRAWING No: FF04a			REV